



**EDGE™ AWNING  
OWNER'S MANUAL**

**L I P P E R T  
C O M P O N E N T S®**

# TABLE OF CONTENTS

<b>Introduction</b> .....	<b>2</b>
<b>Safety</b> .....	<b>2</b>
<b>Operation</b> .....	<b>3</b>
Extending the Awning.....	<b>3</b>
Adjusting Pitch.....	<b>4</b>
Retracting the Awning.....	<b>5</b>
<b>Troubleshooting</b> .....	<b>5</b>
Resources Required.....	<b>5</b>
Manual Override.....	<b>6</b>
<b>Maintenance</b> .....	<b>7</b>
Resources Required.....	<b>7</b>
Fabric Care.....	<b>7</b>

## Introduction

The Edge Awning features an internal motor to steadily operate the awning. The awning also features adjustable pitch arms and optional Serenity lighting.

## Safety

Read and understand all instructions before operating this product. Adhere to all safety labels. This manual provides general instructions. Many variables can change the circumstances of the instructions, i.e., the degree of difficulty, operation and ability of the individual performing the instructions. This manual cannot begin to plot out instructions for every possibility, but provides the general instructions, as necessary, for effectively interfacing with the device, product or system. Failure to correctly follow the provided instructions may result in death, serious personal injury, severe product and/or property damage, including voiding of the LCI limited warranty.

### **WARNING**

**The "WARNING" symbol above is a sign that a procedure has a safety risk involved and may cause death or serious personal injury if not performed safely and within the parameters set forth in this manual.**

### **WARNING**

**Failure to follow instructions provided in this manual may result in death, serious personal injury and/or severe product and property damage, including voiding of the component warranty.**

### **WARNING**

**Unit MUST be supported per manufacturer's recommendations before working underneath. Failure to do so may result in death or serious personal injury.**

## ⚠ CAUTION

The "CAUTION" symbol above is a sign that a procedure has a safety risk involved and may cause personal injury, product or property damage if not performed safely and within parameters set forth in this manual.

## ⚠ CAUTION

Always wear eye protection when performing service, maintenance or installation procedures. Other safety equipment to consider would be hearing protection, gloves and possibly a full face shield, depending on the nature of the task.

## ⚠ CAUTION

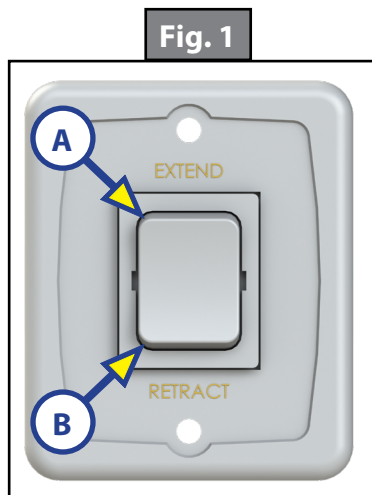
Moving parts can pinch, crush or cut. Keep clear and use caution.

## Operation

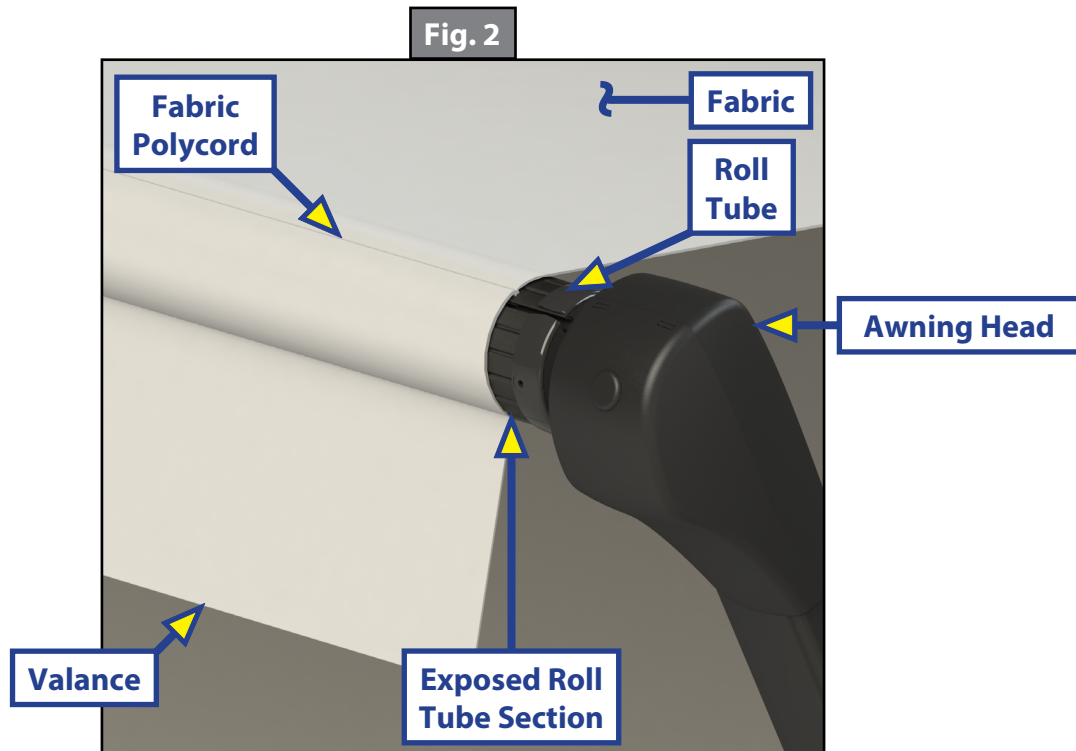
The following instructions provide general operation of the Edge Awning. However, some units may not use the LCI switch (Fig. 1).

### Extending the Awning

1. Verify the unit's battery is fully charged and connected to the electrical system.
2. Press and hold EXTEND (Fig. 1A) until the awning has extended completely.



**NOTE:** Extension is considered complete when the fabric is completely unrolled, the valance polycord is visible and a section of the roll tube is exposed. (Fig. 2).

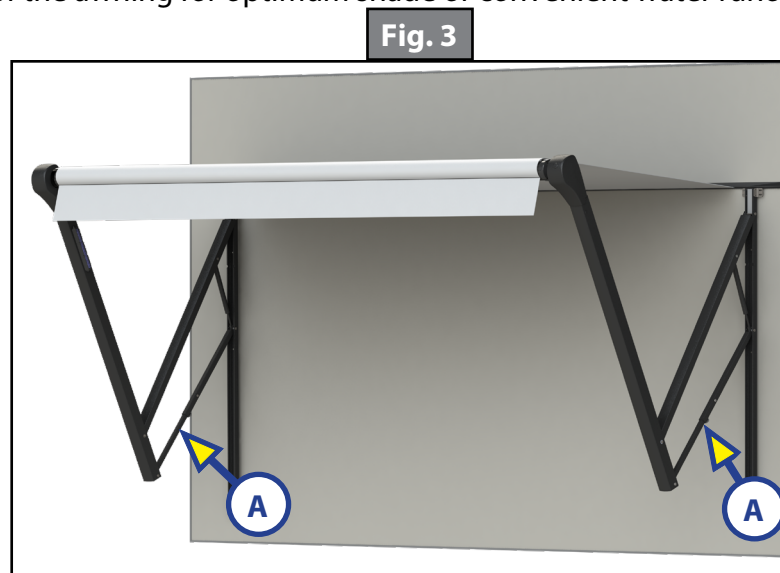


**NOTE:** The awning fabric should always be above the roll tube. However, if the EXTEND switch is engaged too long or EXTEND is hit inadvertently instead of RETRACT, the awning will roll up backward. This is not a defect. To correct the fabric orientation, press the RETRACT button. The awning will then extend to its correct orientation and normal operation can resume.

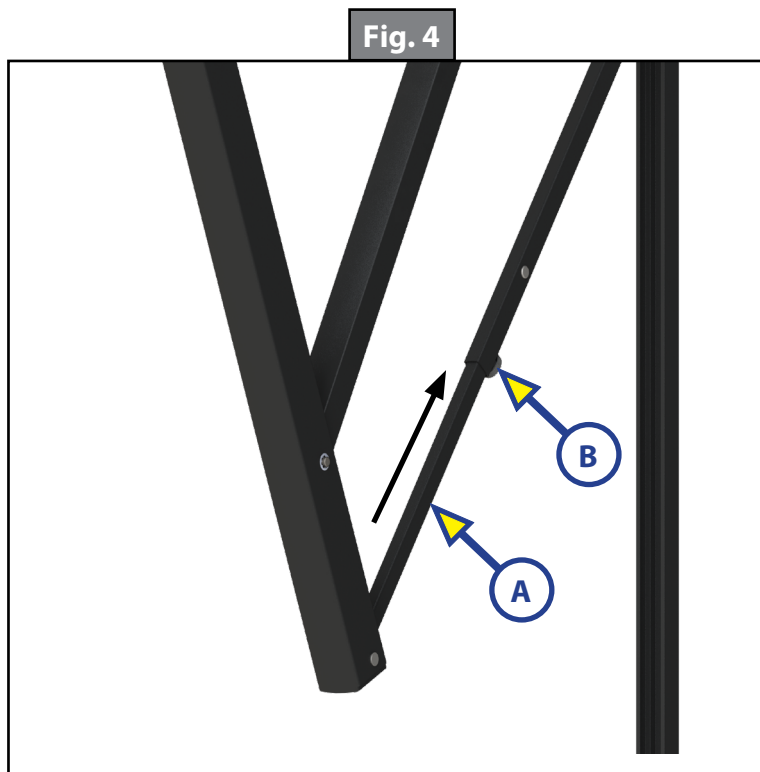
### Adjusting Pitch

Pitch can be set by adjusting one of the sliding pitch arms (Fig. 3A) to tip one side of the awning to allow water runoff.

1. Choose the side of the awning for optimum shade or convenient water runoff.



2. Slide the pitch arm (Fig. 4A) up to the desired position.
3. Tighten the knob (Fig. 4B) on the underside of the pitch arm to secure in the desired position.



## Retracting the Awning

**NOTE:** The awning must be in the flat position prior to retracting the awning.

1. If the pitch arm has been set, loosen the knobs (Fig. 4B) on the underside of the pitch arms (Fig 4A).
2. Verify the unit's battery is fully charged and connected to the electrical system.
3. Press and hold RETRACT on the switch (Fig. 1B) until the awning is retracted completely.

## **Troubleshooting**

### Resources Required

- Cordless or electric drill or screw gun
- $\frac{7}{16}$ " socket
- Socket wrench (optional)

### **CAUTION**

**During incidents of high wind, heavy rain or extended time away from the unit, it is advisable to retract the awning completely to prevent damage to the awning and the RV.**

## Manual Override

In the event of power loss or motor failure, the awning can be extended and retracted manually. Perform the following procedure to manually retract the awning.

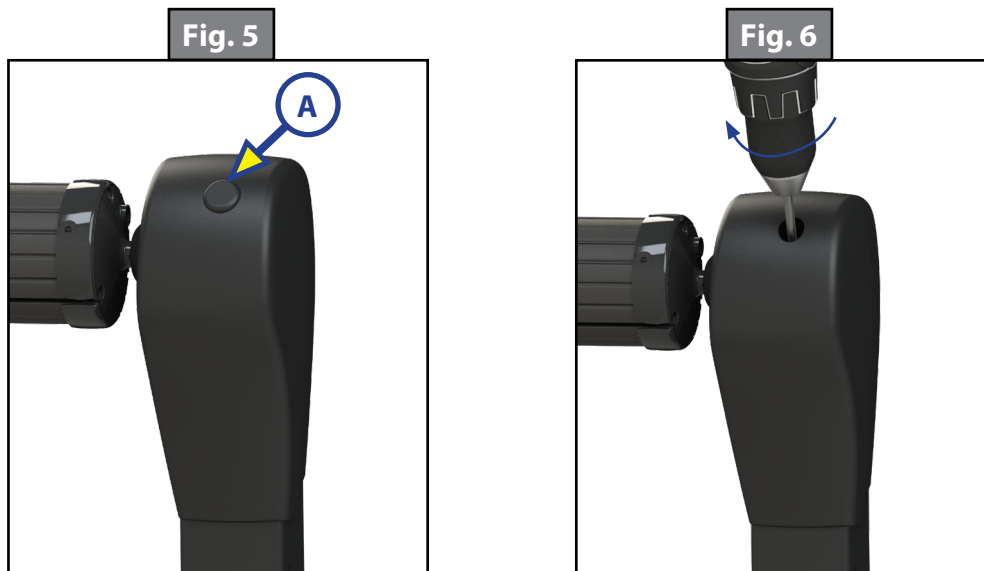
**NOTE:** This procedure may also be performed to extend or retract the awning in the event of dry camping or camping without a battery.

1. Remove the rubber grommet (Fig. 5A) from the drive head assembly, exposing the manual override nut on the motor.

**NOTE:** The drive head assembly is always located on the right side of the awning as it is viewed from outside of the unit.

2. Using a  $\frac{7}{16}$ " socket and cordless/power drill or screw gun, spin the manual override nut counterclockwise to retract the awning (Fig. 6).

**NOTE:** A ratchet may also be used to turn the manual override nut. Using a ratchet will take a significant amount of time and should only be used if no drill or screw gun is available.



**NOTE:** Use caution when retracting the awning manually. The use of a step stool or ladder may be required to completely retract the awning.

3. When the awning is completely retracted, remove socket or drive device and replace the rubber grommet in the drive head assembly.

The motor's internal drive system prevents the awning from moving (extend or retract) on its own. If the motor is damaged or disabled, make sure the awning is secured in the retracted position with a strap around both the outer support arm and the mounted support arm before the manual override nut is released.

## Maintenance

### Resources Required

- 5 gallon bucket
- Clean water
- 1/4 cup of dish soap

### Fabric Care

#### **⚠ CAUTION**

**Over-spray of cleaning solution can cause eye and sensitive skin irritation. Flush affected area with clean water and seek medical attention, if necessary. Wear eye protection and appropriate protective clothing to avoid personal injury.**

#### **⚠ CAUTION**

**Moving parts can pinch, crush or cut. Keep clear and use caution.**

If the awning is retracted while wet, extend the awning and let it dry as soon as conditions allow before retracting. This will help prevent the formation of mildew and add greatly to the life of the awning.

**NOTE:** Mildew does not form on the fabric itself, but on the accumulated dust, dirt and grime.

Periodically clean vinyl or woven acrylic fabric using a mixture of 1/4 cup of dish soap and five gallons of warm water.

1. Liberally apply the mixture on the top of the fabric and retract the awning for five minutes. This will apply the mixture to the bottom of the fabric as well.
2. Extend the awning and hose off with fresh water.
3. Repeat if necessary.
4. Allow to dry before retracting.



# L I P P E R T C O M P O N E N T S<sup>®</sup>

The contents of this manual are proprietary and copyright protected by Lippert Components, Inc. ("LCI"). LCI prohibits the copying or dissemination of portions of this manual unless prior written consent from an authorized LCI representative has been provided. Any unauthorized use shall void any applicable warranty. The information contained in this manual is subject to change without notice and at the sole discretion of LCI.

Revised editions are available for free download from [lci1.com](http://lci1.com).

Please recycle all obsolete materials.

For all concerns or questions, please contact  
Lippert Components, Inc.

Ph: (574) 537-8900 | Web: [lci1.com](http://lci1.com) | Email: [customerservice@lci1.com](mailto:customerservice@lci1.com)